

**B.TECH. SEM -II MECHANICAL/ PRODUCTION 2014**  
**COURSE (CBCS) : WINTER - 2017**  
**SUBJECT : MECHANICAL ENGINEERING DRAWING \***

Day : **Friday**  
Date : **24/11/2017**

Time : **10.00 AM TO 02.00 PM**  
Max. Marks : 60

**W-2017-2013**

**N.B.**

- 1) All questions are **COMPULSORY**.
- 2) Figures to the right indicate **FULL** marks.
- 3) Use of non-programmable calculator is allowed.

**Q.1** Explain with the help of sketches progressive dimensioning chain (10)  
dimensioning and datum dimensioning.

**OR**

**Q.1** Explain with sketches conventional representation of screw threads. (10)

**Q.2** What is nut and bolt? Explain with sketches Hexagonal headed Nut and Bolt. (10)

**OR**

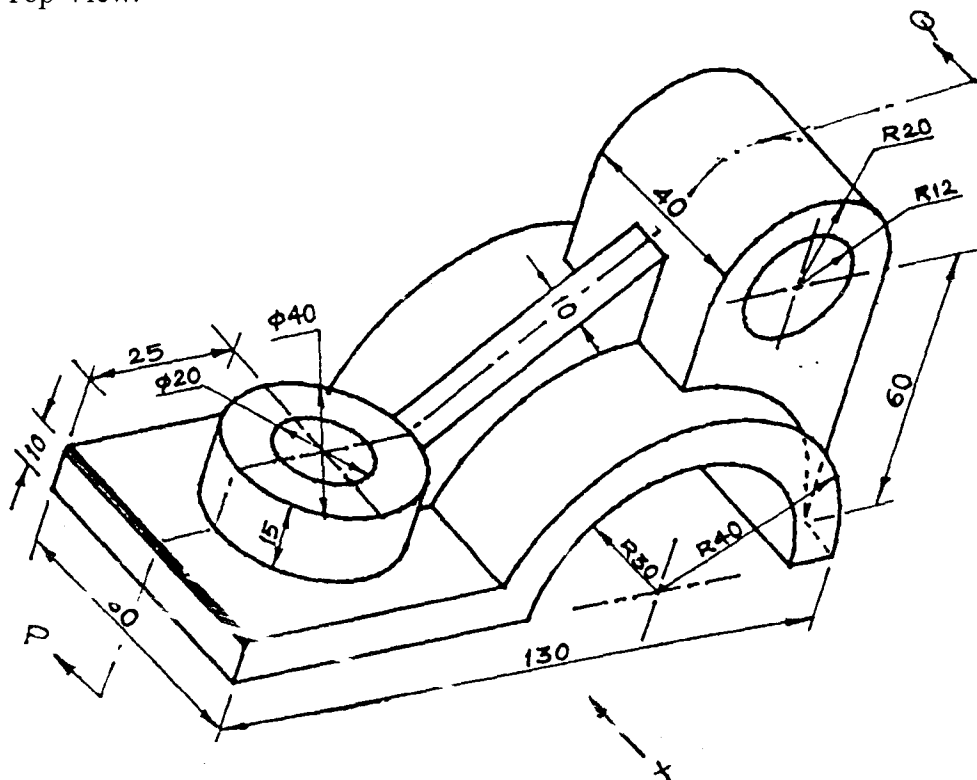
**Q.2** What is riveting? Explain with sketches double riveted butt joints both chain (10)  
and zig-zag.

**Q.3** Explain with sketch following drawing commands with prompt i) polyline (10)  
ii) Donut iii) Hatch iv) Arc.

**OR**

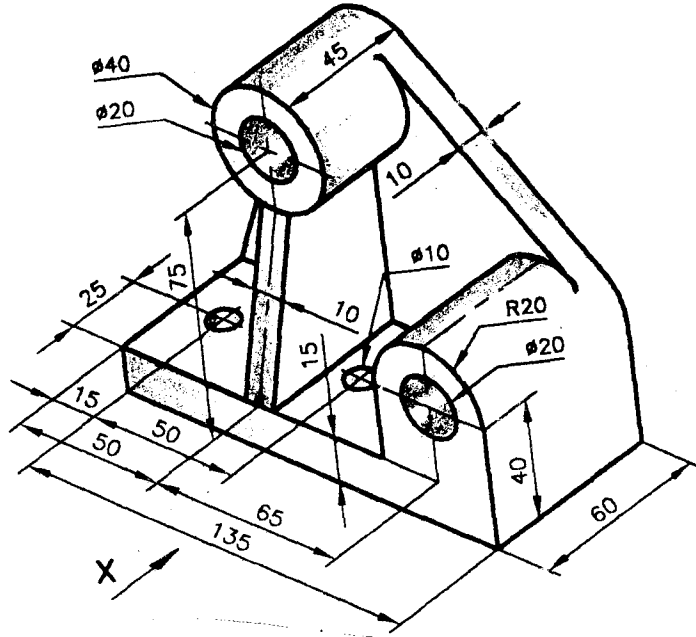
**Q.3** Explain with sketch the different formatting commands used in Auto CAD. (10)

**Q.4** Draw sectional Front View along section P-Q and Top View of an object as (10)  
shown in figure and write command prompt in Auto CAD for the Front View  
and Top View.

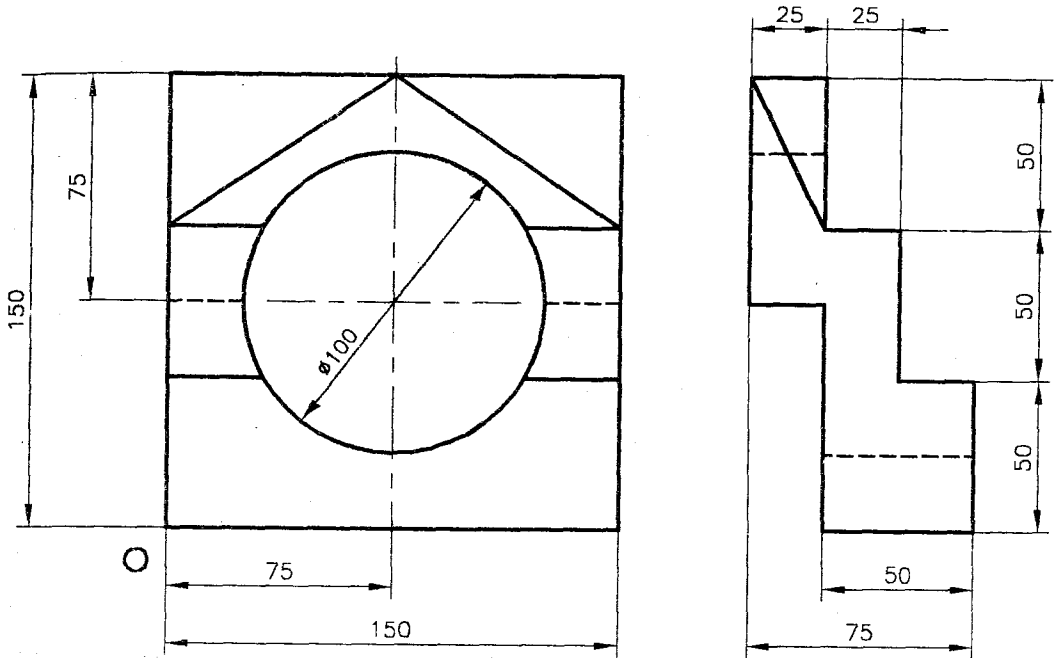


OR

Q.4 Draw Front view in the direction of X and Top View of an object as shown in figure and write command prompt in Auto CAD for the Front view and Top View. (10)

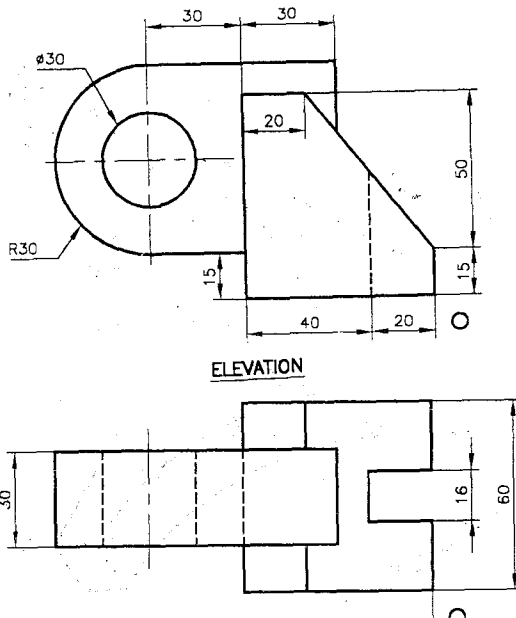


Q.5 Write Auto CAD command prompts to draw isometric view of given (10) orthographic views shown in figure show dimensions on drawing.



OR

Q.5 Write Auto CAD command prompts to draw isometric view of given (10) orthographic views shown in figure show dimensions on drawing.



**Q.6** A right regular pentagonal prism of side 25 mm and height 60 mm is resting on the H.P. on its base with a side of base parallel to V.P. and nearer to it. A square hole of side 30 mm is cut throughout it, the axis of which is parallel to both H.P. and V.P. and bisecting the axis of the prism. Draw the development of lateral surface of the prism assuming all the rectangular faces of the hole equally inclined to V.P. using Auto CAD command prompts. **(10)**

**OR**

**Q.6** A right circular cone having diameter of base 40 mm, axis length 60 mm resting its base on H.P. is cut by an Auxiliary inclined plane inclined at  $45^\circ$  to H.P and bisecting the axis. Draw the development of lateral surface of the cone retaining the portion containing the base and write Auto CAD command prompts. **(10)**

\* \* \*