

**B.ARCH. SEM – I (CBCS – 2015 COURSE) : WINTER -  
2017**

**SUBJECT: ARCHITECTURAL DRAWING AND GRAPHICS – I**

**Day: Monday**  
**Date: 04/12/2017**

**W-2017-3236**

**Time: 10.00 AM TO 01.00 PM**  
**Max. Marks: 60**

**N.B:**

- 1) Answer to the two sections should be written in **SEPRATE** answer books.
- 2) Solve **ANY THREE** questions from Section –I and **ANY THREE** questions from Section – II.
- 3) Assume suitable data if necessary.

---

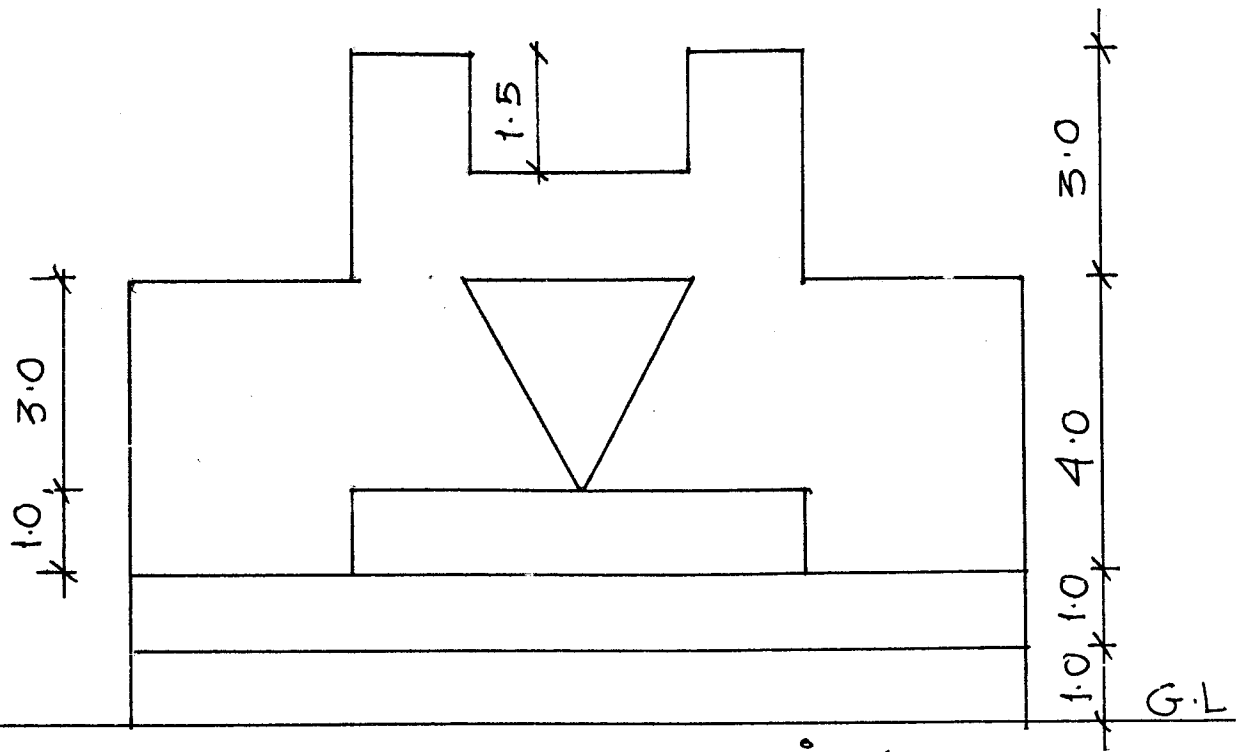
**SECTION –I**

- Q.1** Draw plan and front elevation of given object. (10)
- Q.2** Draw right and left side elevation of given object. (10)
- Q.3** Draw isometric view of the given object from your right side, viewing point shown in object as **O**. (10)
- Q.4** Draw isometric view of the given object from your left side, viewing point shown in object as **Y**. (10)
- Q.5** Compose the following given solids and draw its isometric view. (10)
- a) Square prism having side **5.0cm** and its height **6.0cm**.
  - b) Square pyramid having side **4.0cm** and its axis height **6.5cm**.
  - c) Rectangular prism having length **5.0cm** and breadth **4.0cm** its height **7.0cm**.

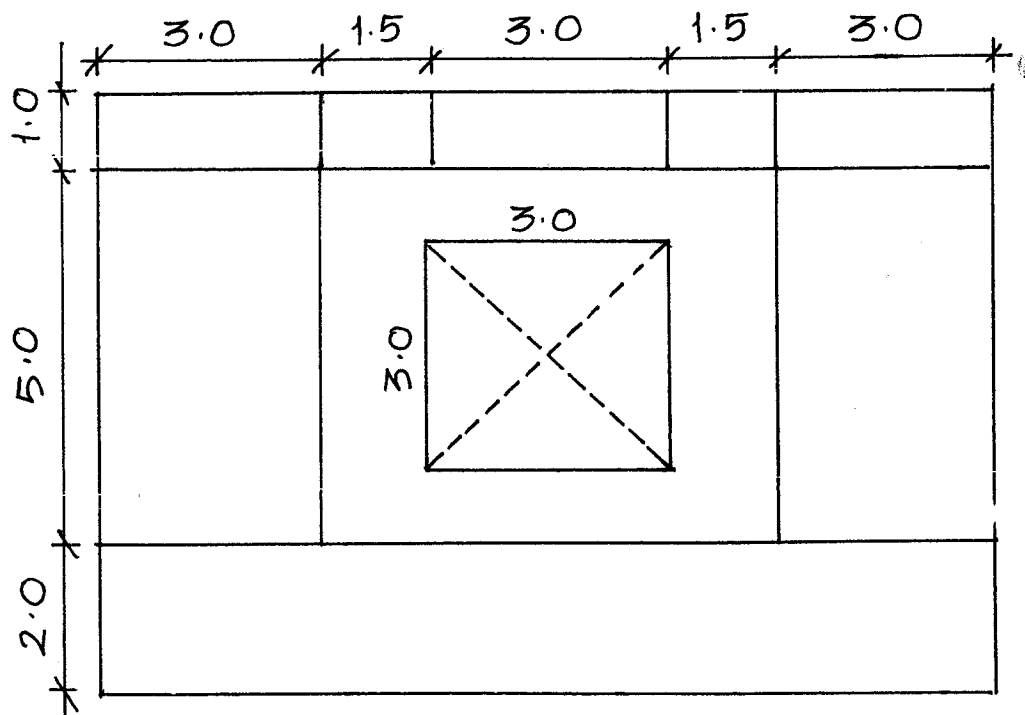
**SECTION –II**

- Q.6** Draw geometrical construction of pentagon having the side **3.5cm**. (10)
- Q.7** Write the applications of continuous thick line and continuous thin line also show its application in object. (10)
- Q.8** Show the representation of following materials in Architectural drawings. (10)
- a) Brick masonry in section
  - b) Stone (rubble) masonry in elevation
  - c) Plaster
  - d) Tiles
- Q.9** What is the relevance of studying subject Architectural Drawing and Graphics in Architecture? (10)
- Q.10** Sketch the interior view of living room. (10)

OBJECT FOR SECTION-I (Q. 1-Q.4)



FRONT ELEVATION



PLAN

