

B.Tech. SEM -II Mechanical/ Production 2014 Course (CBCS) :
WINTER - 2018
SUBJECT: MECHANICAL ENGINEERING DRAWING

Day: Saturday
Date: 17/11/2018

W-2018-2277

Time: 10.00 AM TO 02.00 PM
Max Marks: 60

N.B.:

- 1) All questions are **COMPULSORY**.
- 2) Figures to the right indicate **FULL** marks.
- 3) The half imperial size drawing sheets should be used.
- 4) Assume suitable data if necessary.

Q.1 a) Explain with the help of sketches the different methods of dimensioning in dimensioning practices. (10)

OR

b) Explain with the help of sketches of common features of dimensioning slotted holes, counter bored holes, chamfers, spotfaces and tapered features. (10)

Q.2 a) What is riveting? Explain with neat sketches double riveted lap joint (Zig-Zag) and single riveted butt joint. (10)

OR

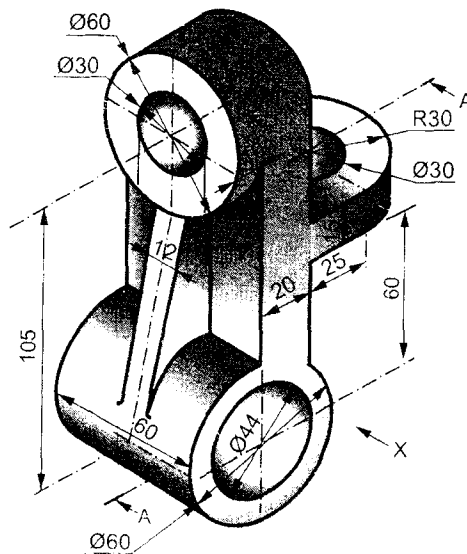
b) What is a coupling? State their different types and explain with neat sketches Oldham's coupling and muff coupling. (10)

Q.3 a) Explain with neat sketch different modify commands used in AutoCAD. (10)

OR

b) Explain different edit commands and file commands used in AutoCAD. (10)

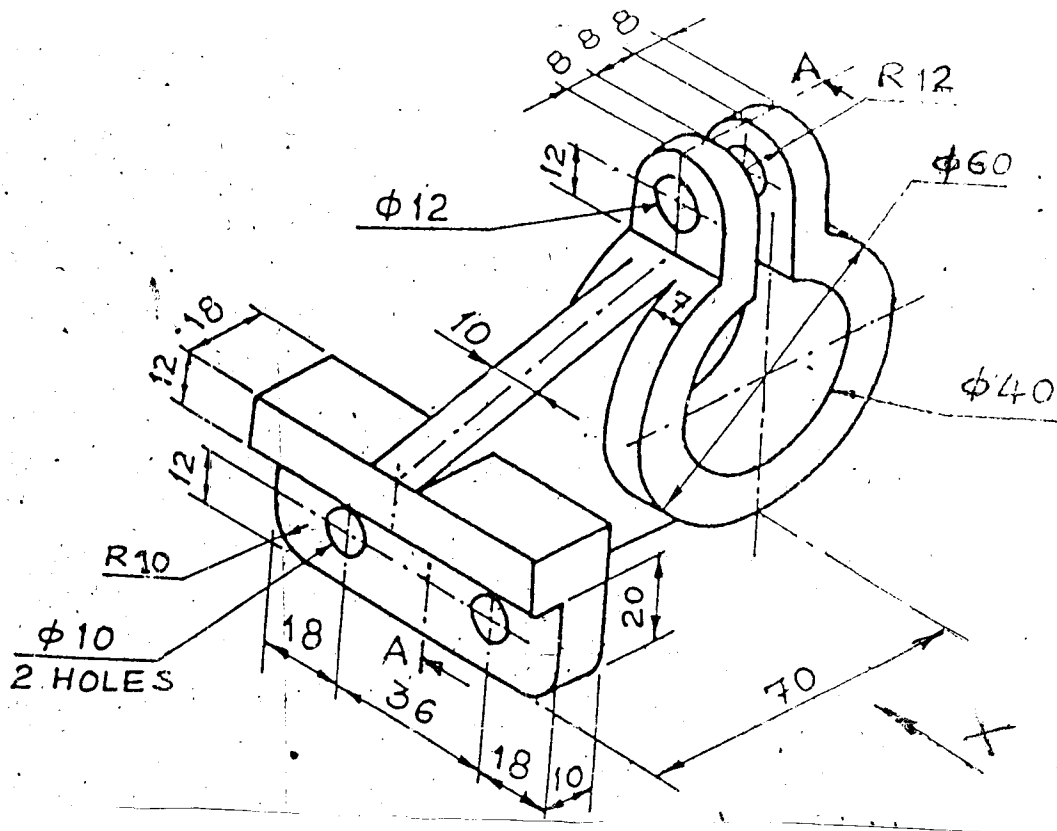
Q.4 a) Draw sectional front view along section A-A and Top view of an Object as shown in Figure and write command prompt in AutoCAD for the same. (10)



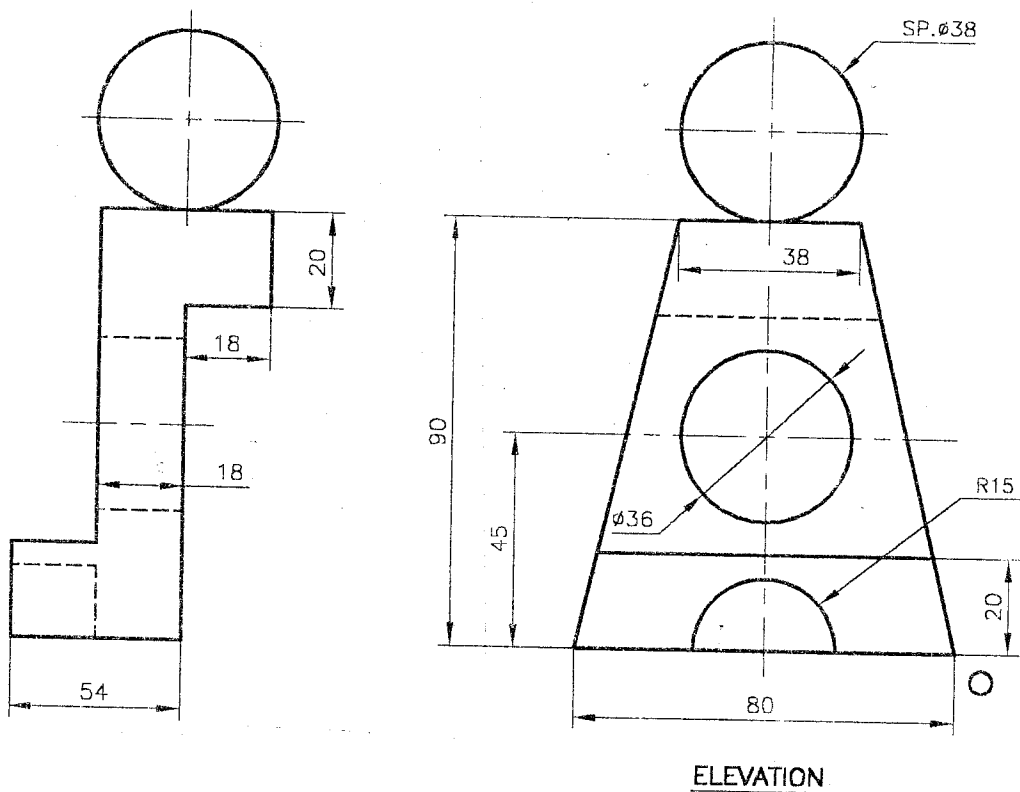
P.T.O.

OR

- b) Draw sectional front view along section A-A and Top view of an Object as shown in Figure and write command prompt in AutoCAD for the same. (10)

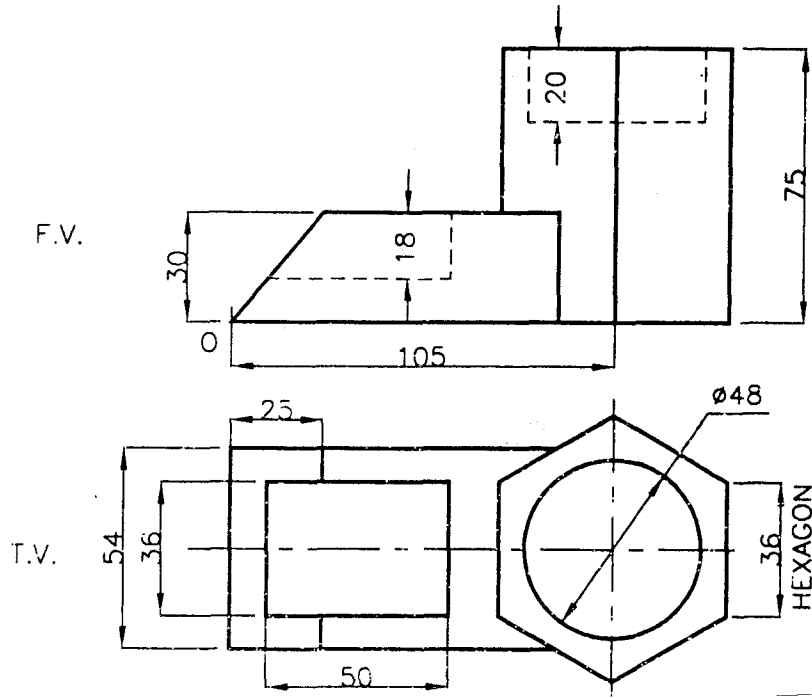


- Q.5 a) To draw an isometric view of given orthographic views and also writes command prompts of them using AutoCAD. (10)



OR

- b) To draw an isometric view of given orthographic views and also writes (10)
command prompts of them using AutoCAD.



...2...

- Q.6 a) A square prism side of base 45 mm and axis length 90 mm has its axis vertical and rectangular faces equally inclined to V.P. A square hole of sides 30 mm is drilled through the prism completely such that the axis of hole is perpendicular to V.P and bisects the axis of vertical square prism. The sides of the square hole are equally inclined to H.P. draw the development of lateral surfaces by using AutoCAD commands. (10)

OR

- b) A right circular cone having diameter of base 40 mm, axis length 60 mm (10)
resting on its base on H.P. is cut by an AIP inclined at 45° to H.P. and bisecting the axis. Draw the development of lateral surfaces of the cone by using AutoCAD commands.

* * * * *