

B.ARCH. SEM – II (CBCS – 2015 COURSE) : WINTER - 2018
SUBJECT: ARCHITECTURAL DRAWING AND GRAPHICS - II

Day: Monday
Date: 19/11/2018

W-2018-3443

Time: 10.00 AM TO 01.00 PM
Max Marks : 60

N.B. :

- 1) **Q. No.1** from **Section - I** and **Q. No. 6** from **Section - II** are **COMPULSORY**.
Out of the remaining questions from **Section - I** solve **ANY TWO** and out of the remaining questions from **Section – II** solve **ANY TWO**.
 - 2) Figures to the right indicate **FULL** marks.
 - 3) Answer to both the sections should be written in **SEPARATE** answer books.
 - 4) Assume suitable data, if necessary.
 - 5) Retain all construction lines.
-

SECTION - I

- Q.1** Draw isometric view of **Figure 1** from direction **O**. (10)
- Q.2** Draw plan, front elevation and left hand side (LHS) elevation of **Figure 1**. (10)
- Q.3** Draw sciography in plan and front elevation of **Figure 1**. (10)
- Q.4** Compose the objects given below and draw its plan and front elevation. (10)
- a) Triangular pyramid - side 3.5cm. and height 8cm.
 - b) Square plate - 7cm. × 7cm.
 - c) Square prism - side 4cm. and height 5cm.
 - d) Cone - diameter 4cm. and height 7cm.
- Q.5** Draw sciography of the object composition done in **Q. 4** in plan and front elevation. (10)

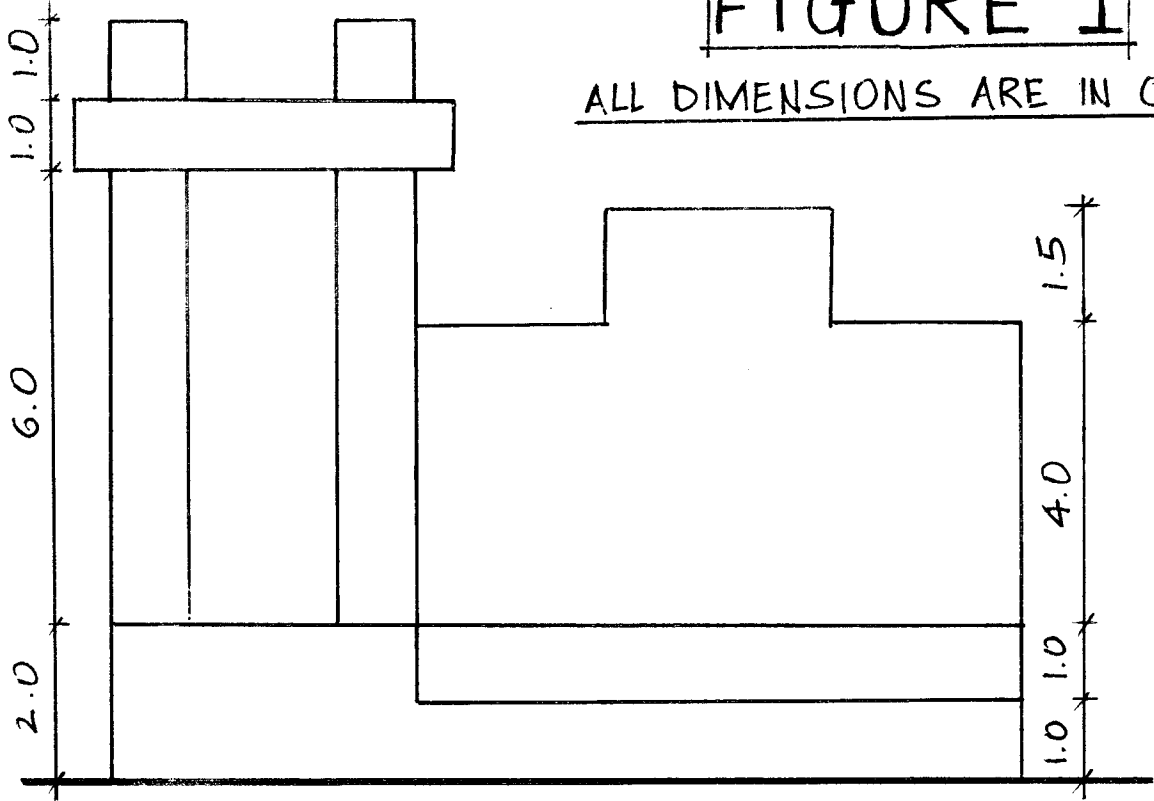
SECTION - II

- Q.6** Interpenetrate suitably the objects given in **Figure 2** and draw its plan and front elevation. (10)
- Q.7** Draw isometric view of the object interpenetration done in **Q. 6**. (10)
- Q.8** Draw sciography of the object interpenetration done in **Q. 6** in plan and front elevation. (10)
- Q.9** Explain the terms shade and shadow with respect to sciography. (10)
- Q.10** Draw plan and elevation of any four types of trees to a scale of 1:100. (10)

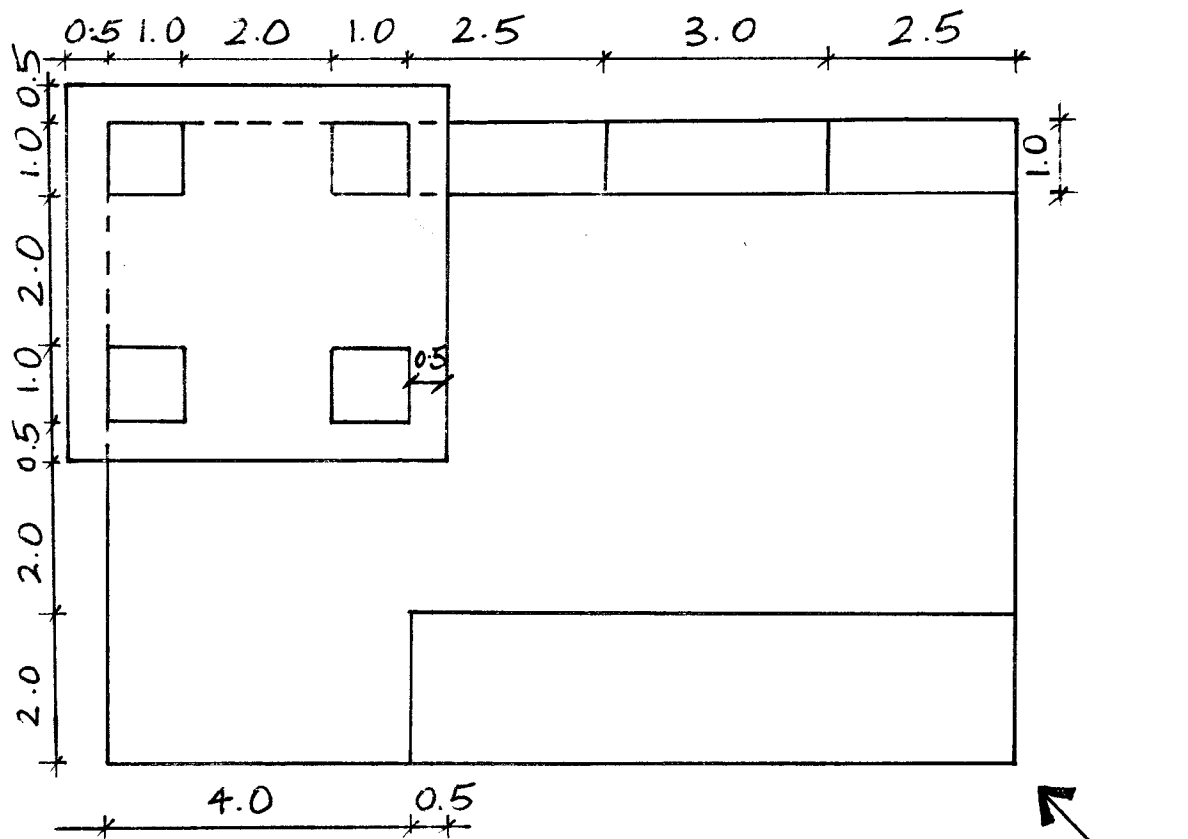
* * * * *

FIGURE 1

ALL DIMENSIONS ARE IN CM



FRONT ELEVATION



PLAN

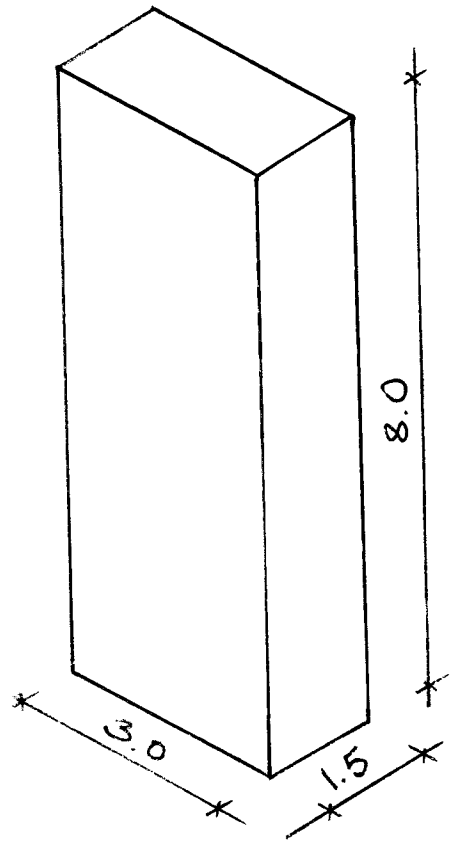
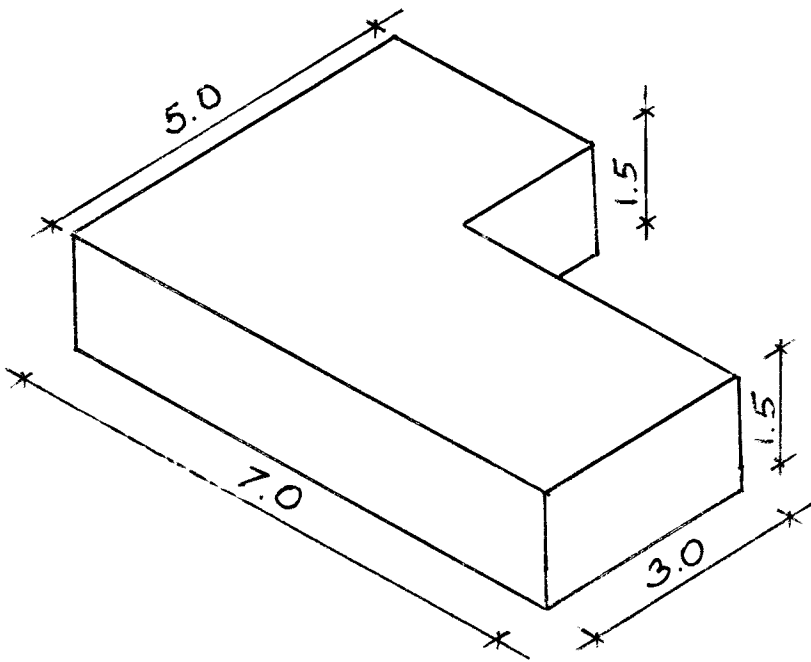
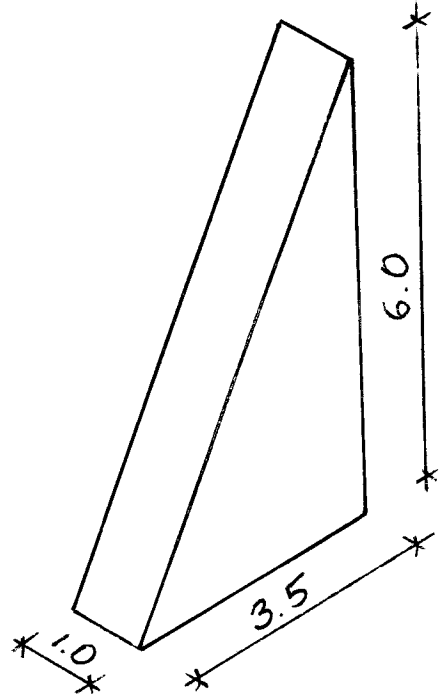
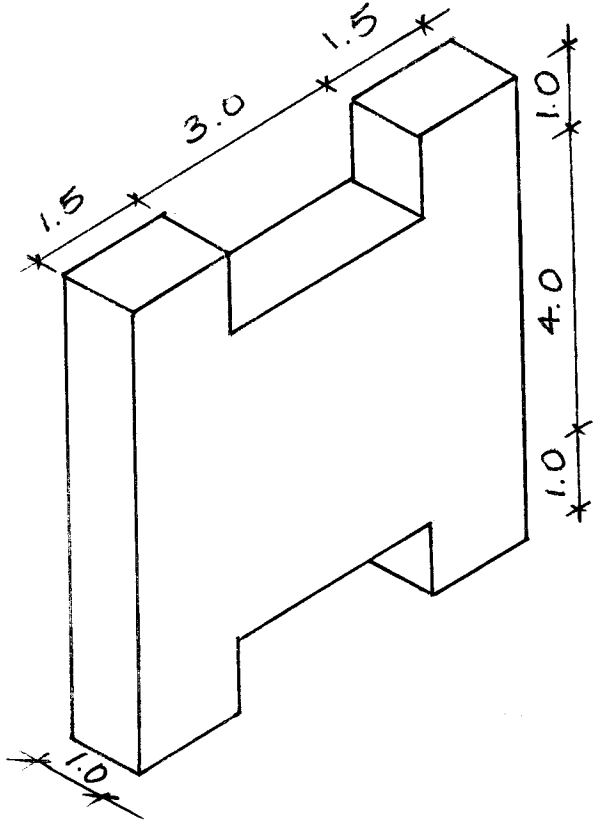


FIGURE 2

ALL DIMENSIONS ARE IN CM