

**B.TECH SEM – IV (2007 COURSE) (CIVIL ENGG.) : SUMMER
2018**

SUBJECT : BUILDING PLANNING & DESIGN

Day : **Tuesday**
Date : **05/06/2018**

Time : **10.00 AM TO 02.00 PM**
Max. Marks : 80

S-2018-2606

N.B.:

- 1) **Q.No.1** is **COMPULSORY**. Out of the remaining questions attempt **ANY TWO** questions from Section – I and attempt all questions from Section – II.
- 2) Answers to both the sections should be written in the **SEPARATE** answer books.
- 3) Draw neat and labeled diagram **WHEREVER** necessary.
- 4) Use of non-programmable **CALCULATOR** is allowed.
- 5) Figures to the right indicate **FULL** marks.
- 6) Assume suitable data if necessary.

SECTION – I

- Q.1 a) Explain Building line and Control line. [05]
b) What is a fire load? How it is computed? [05]
c) What is a thermal insulation? How it is carried out for roof? [04]
- Q.2 a) What are the advantages of Thermal insulation? What is conduction of heat? [07]
b) Describe septic tank with neat sketch. [06]
- Q.3 a) Describe summer and winter air conditioning systems with neat sketch. [07]
b) What are the constructional requirements of electrical and telecommunication services? [06]
- Q.4 a) What are acoustical defects? Explain any two in detail. [06]
b) Describe Low Cost Housing. [07]

SECTION – II

- Q.5 Design a hotel for 100 number of guests using following data: [25]
Entrance - 20 m²
Waiting hall - as per requirements
Dinning - as per requirements
Kitchen - 10 m²
Parking, store, pantry etc.
Draw a plan with a suitable scale with all necessary details.
Draw elevation of the same.
- Q.6 Draw two point perspective of the following figure. Assume suitable data. Refer Figure No.1. [15]

* * * *

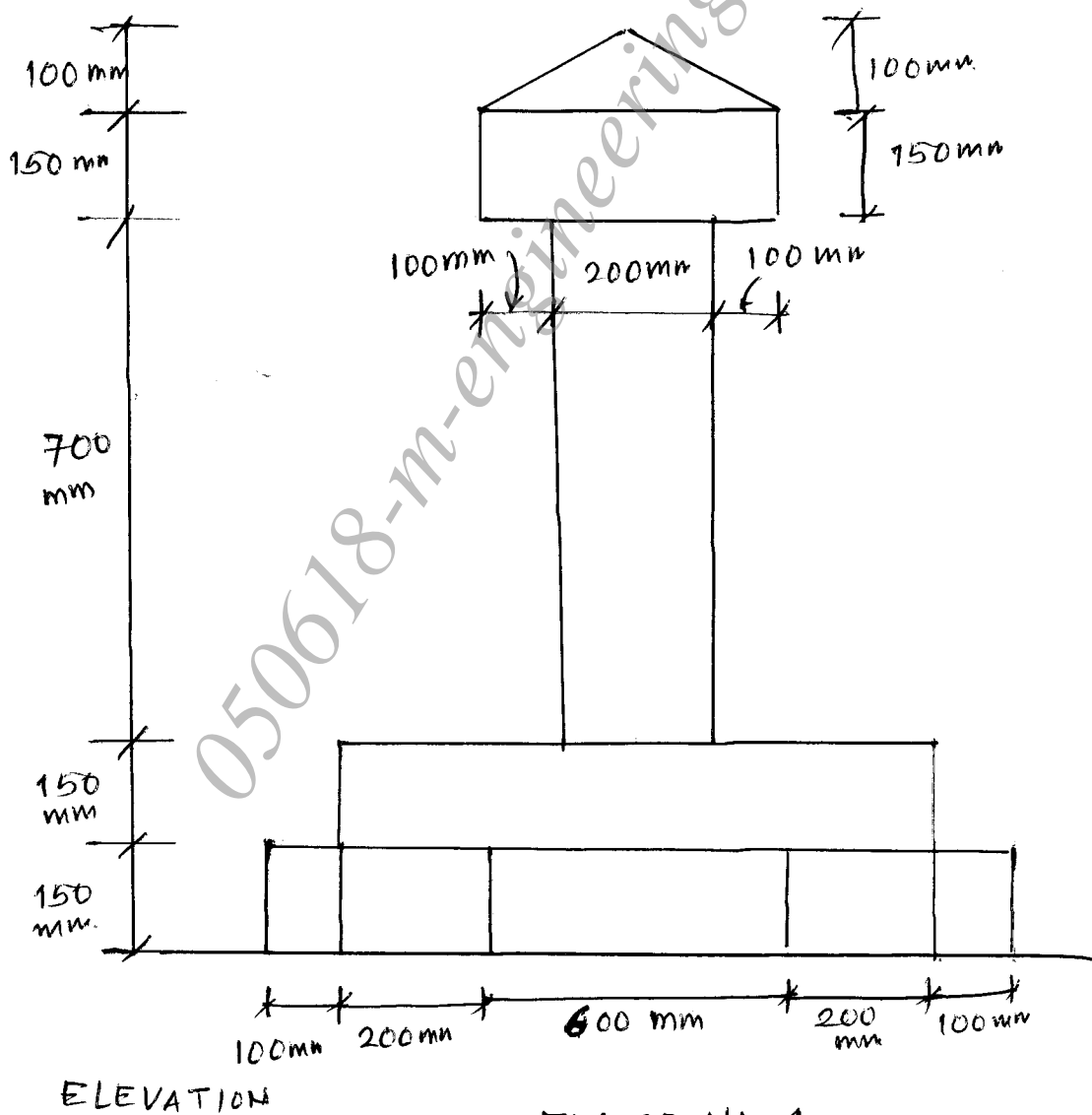
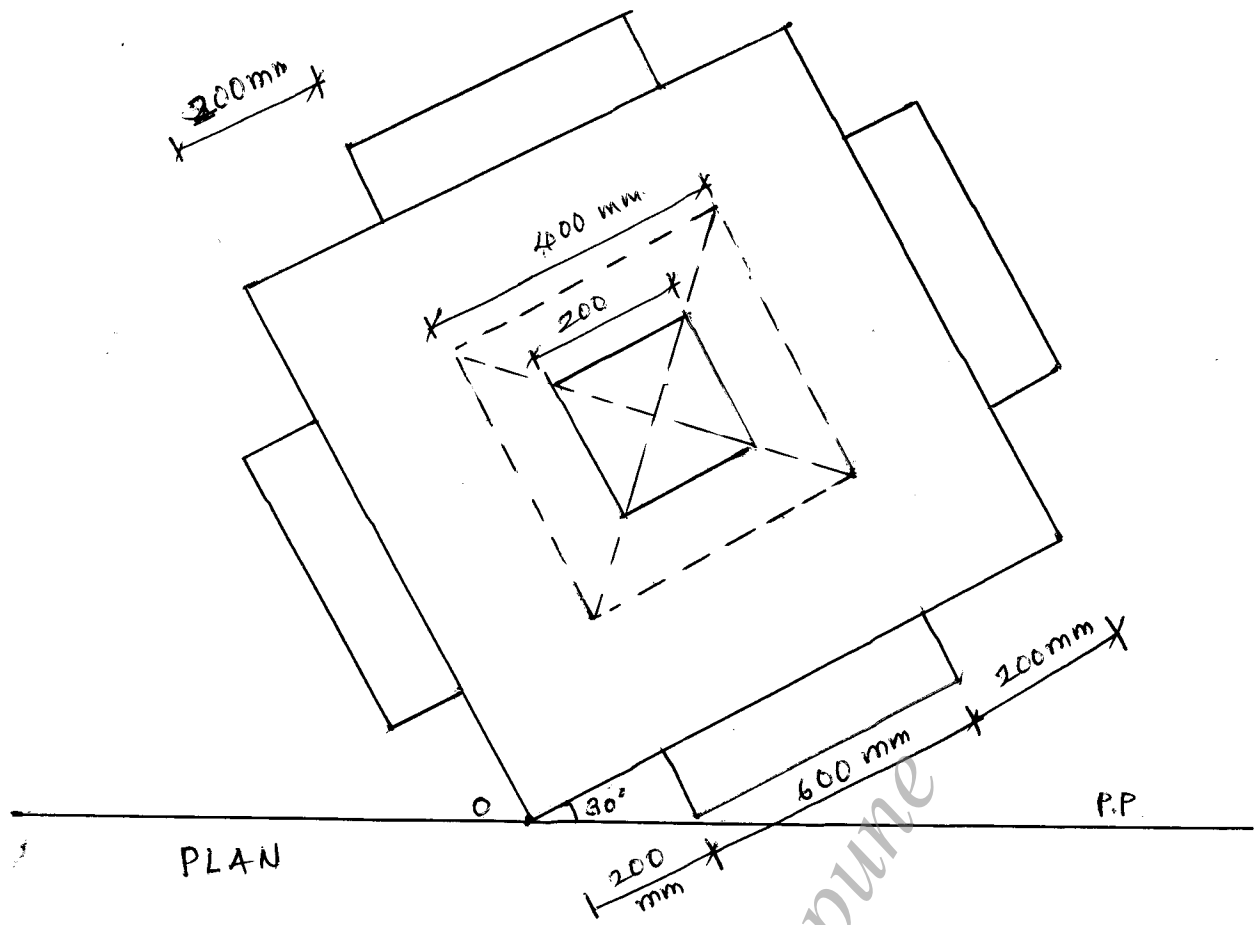


FIGURE NO. 1