

Day: Friday  
Date: 31/05/2019

S-2019-2542

Time: 10.00 AM TO 02.00 PM  
Max Marks: 60

N.B.:

- 1) All questions are **COMPULSORY**.
- 2) Figures to the right indicate **FULL** marks.
- 3) The half imperial size drawing sheets should be used.
- 4) Assume suitable data if necessary.

Q.1 a) Explain with the help of sketches conventional representation of springs. (10)

OR

b) Explain with neat sketches different types of dimensions. (10)

Q.2 a) Explain with neat sketches different types of foundation bolts. (10)

OR

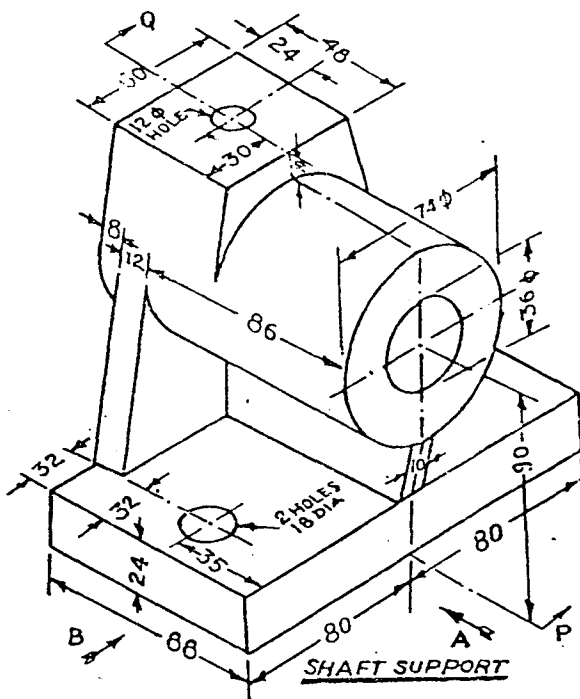
b) State different types of couplings. Explain with neat sketches solid flange coupling and muff coupling. (10)

Q.3 a) Explain with neat sketch different drawing commands used in AutoCAD. (10)

OR

b) Explain different formatting commands and layer command used in AutoCAD. (10)

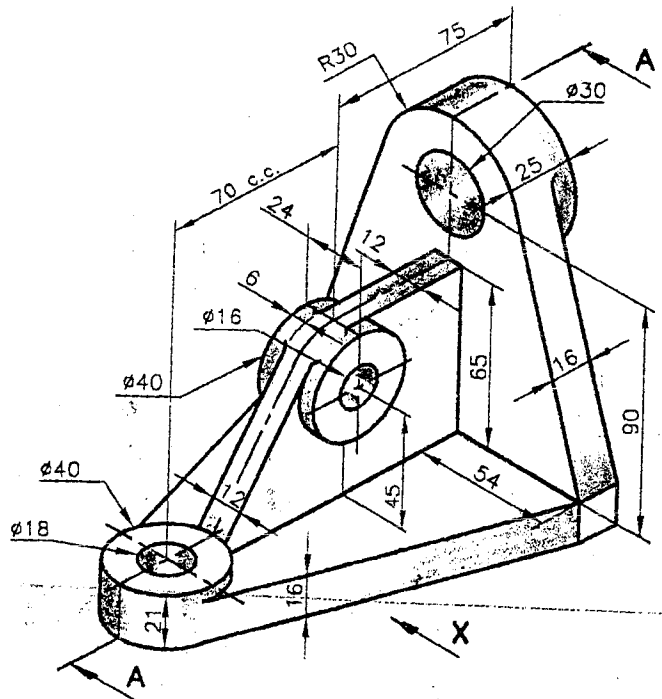
Q.4 a) Draw front view and Top view of an Object as shown in Figure and write command prompt in AutoCAD for the same. (10)



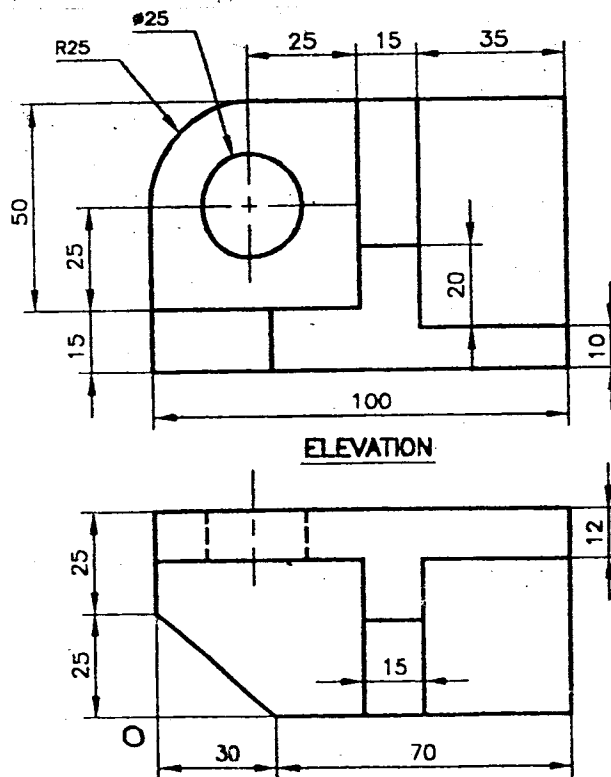
OR

b) Draw sectional front view along section A-A and Top view of an Object as shown in Figure and write command prompt in AutoCAD for the same. (10)

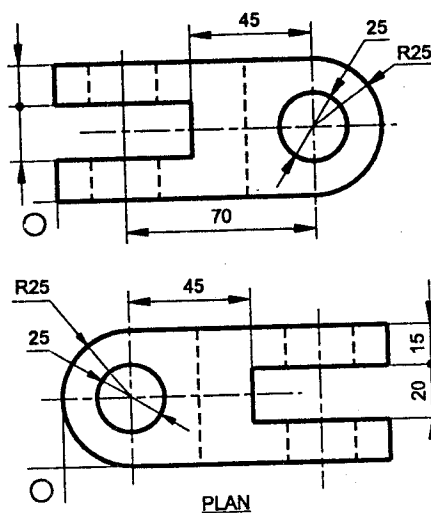
P.T.O.



Q.5 a) To draw an isometric view of given orthographic views and also writes (10) command prompts of them using AutoCAD.



b) To draw an isometric view of given orthographic views and also writes (10) command prompts of them using AutoCAD.



- Q.6 a) Draw the development of lateral surfaces of a pentagonal prism with edges (10)  
of base 40 mm and height 90 mm, kept on H.P on its base with an edge of  
base parallel to V.P. when it is cut by an AIP inclined at  $30^\circ$  to H.P and  
bisecting the axis of the Prism using AutoCAD commands.

OR

- b) Figure shows the elevation of a cut cone cut by an Auxiliary Inclined Plane. (10)  
Draw the development of lateral surfaces of the cone removing the portion  
containing apex by using AutoCAD commands.

