

SUBJECT-BUILDING PLANNING, DESIGN AND BYELAWS

Day: Thursday
Date: 09/05/2019

S-2019-2551

Time: 02.30 PM TO 06.30 PM
Max. Marks: 60

N.B.:

- 1) All questions are **COMPULSORY**.
- 2) Figure to the right indicate **FULL** marks.
- 3) Draw neat and labeled diagram **WHEREVER** necessary.
- 4) Assume suitable data wherever necessary.

Q.1 Draw a detail plan of residential building as ground floor structure & justify (10)
how your plan is governing the principles of planning.

OR

Q.1 What is the necessity of integrated approach in building planning? Draw a line (10)
plan of post office with a scale 1:100. Assume suitable data required.

Q.2 a) Describe the stack effect and wind effect with neat & labeled sketch. (05)

b) Discuss the heat recharge of building. (05)

OR

Q.2 a) Explain noise control & sound insulation. (05)

b) Describe Air conditioning systems with neat and labeled sketches (05)

Q.3 a) What are the fire safety considerations in planning? (05)

b) Describe the rate of water supply in planning. (05)

OR

Q.3 a) Explain two pipe plumbing system with labeled diagram. (05)

b) Define fire load. What are fire escape elements? (05)

Q.4 a) Describe low cost housing? (05)

b) What do you understand by eco friendly building? (05)

OR

Q.4 a) What are the planning considerations in high Rise buildings? (05)

b) Explain the concept of intelligent buildings. (05)

P.T.O.

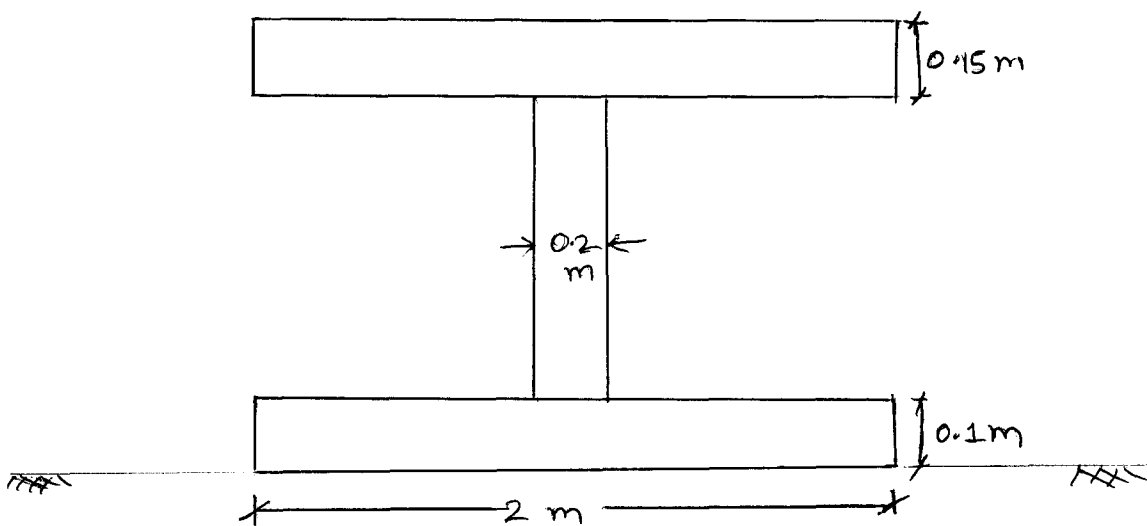
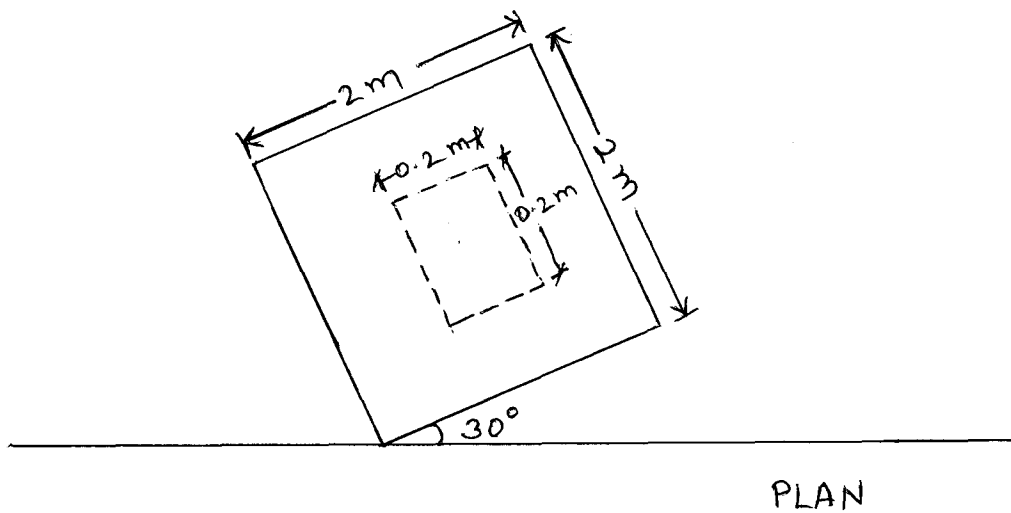
- Q.5 a) What is the role of plan sanctioning authority? (05)
- b) Describe the various "No objection certificates" to be produced in local authority. (05)

OR

- Q.5 a) Explain 7/12 abstract in detail. (05)
- b) What are the details of 6D form. (05)
- Q.6 a) What is the necessity of town planning in India. (05)
- b) Discuss in brief about land use in planning. (05)

OR

- Q.6 Draw two point perspective drawing with suitable scale for figure 1. (10)



ELEVATION

Figure not to scale
All dimensions are in 'meter'

Figure 1

* * * * *