

**B.ARCH. SEM – I (CBCS – 2015 COURSE) : SUMMER - 2019**

**SUBJECT: ARCHITECTURAL DRAWING AND GRAPHICS-I**

Day: Thursday  
Date: 02/05/2019

Time: 10.00 AM TO 01.00 PM  
Max. Marks: 60

**S-2019-3707**

**N.B:**

- 1) Answer to the two sections should be written in **SEPARATE** answer books.
- 2) Solve **ANY THREE** questions from Section-I and **ANY THREE** questions from Section-II.
- 3) Assume suitable data if necessary.

**SECTION-I**

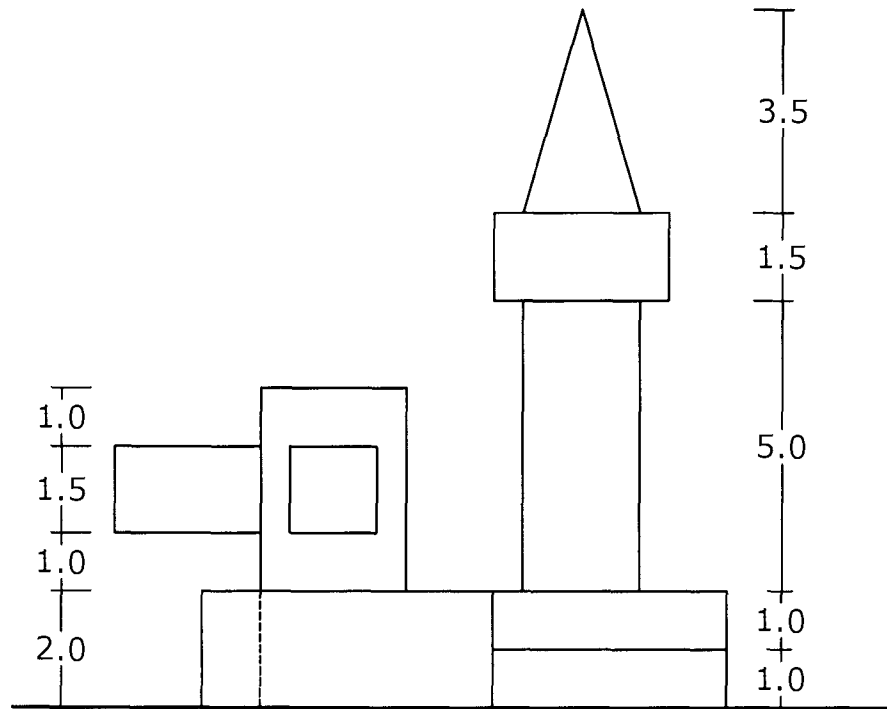
- Q.1** a) Write importance of 2-Dimensional and 3-dimensional presentation in Architectural field. (05)  
b) Draw plan and front elevation of given object. (05)
- Q.2** Draw right and left side elevation of given object. (10)
- Q.3** Draw isometric view of the given object from your right side, viewing point shown in object as **O**. (10)
- Q.4** Draw isometric view of the given object from your left side, viewing point shown in object as **Y**. (10)
- Q.5** Draw a isometric view by the composition of following given solids: (10)
- a) Rectangular prism having a **Length 9.0cm, Breadth 8.0cm** and **Height 2.0cm**.
  - b) Hexagonal prism having its **side 3.0cm** and **height 4.0cm**.
  - c) Square pyramid having its **side 2.0cm** and **axis height 4.0cm**.

**SECTION-II**

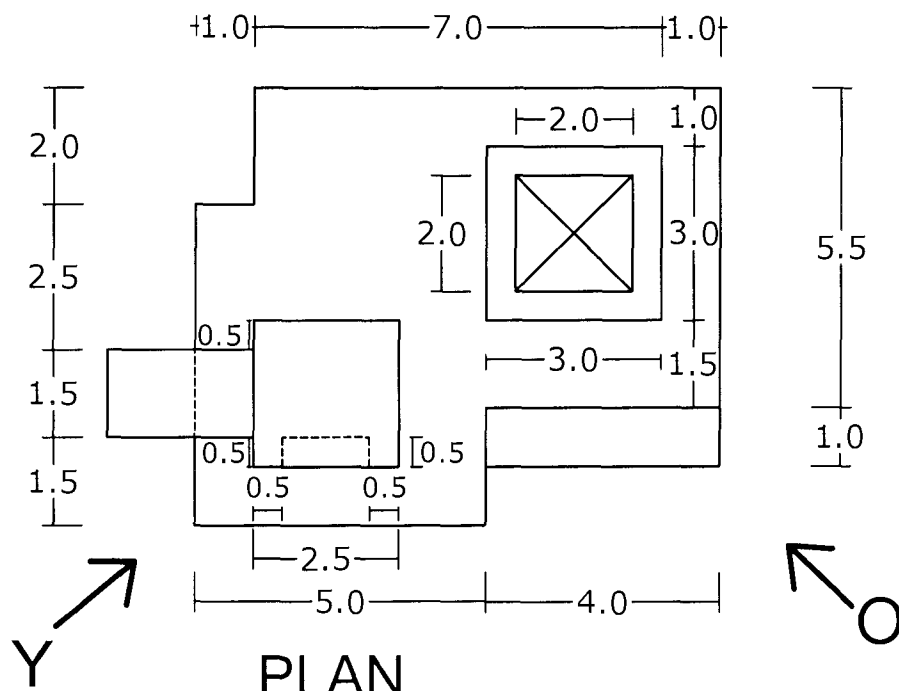
- Q.6** Draw isometric view of:
- a) Hexagonal pyramid having a **side 2.5cm** and **axis height 7.0cm**. (05)
  - b) Pentagonal prism having a **side 3.5cm** and **height 7.0cm**. (05)
- Q.7** Show the representation and its application of following materials in Architectural drawing. (10)
- |                              |                                |
|------------------------------|--------------------------------|
| i) Earth work                | iii) Tiles                     |
| ii) Stone masonry in section | iv) Stone masonry in Elevation |
- Q.8** Sketch interior view of Library. (10)
- Q.9** Write application of following types of lines. (10)
- a) Long chain thick at ends thin elsewhere
  - b) Long chain line
  - c) Zig zag thin line
  - d) Short dashes line
- Q.10** Draw plan, elevation and isometric view of:
- a) Circular plane having its **radius 3.0cm** (05)
  - b) Pentagonal plane having a **side 3.0cm**. (05)

\* \* \* \* \*

OBJECT FOR SECTION -I, Q.1 TO Q.4



FRONT ELEVATION



PLAN

ALL DIMENSIONS ARE IN CM